



## Day/Night Fixed Dome Camera with IR LED and advanced features

### Key Features

- High resolution: 650 TV lines
- High sensitivity with Day/Night function: 0.08 lx (Color), 0 lx (B/W, LED on) at F1.3. IR cut filter switches on/off to enhance the sensitivity in B/W mode. (WV-CF314L)
- High sensitivity with Day/Night function: 0.15 lx (Color), 0 lx (B/W, LED on) at F2.0. IR cut filter switches on/off to enhance the sensitivity in B/W mode. (WV-CF304L)
- IR LED equipped: The equipped infrared LED makes it possible to take pictures at 0 (zero) lx.  
IR LED irradiation distance 20 m (WV-CF314L)  
IR LED irradiation distance 10 m (WV-CF304L)
- LED AUTO mode : Control to the best brightness level automatically when the IR LED is ON.
- ABS (Adaptive Black Stretch) enhances visibility of dark area without degrading image quality in bright area.
- ABF (Auto Back Focus) ensures easy installation (WV-CF314L).
- Various adjustment features including BLC (Back-Light Compensation), ATW (Auto Tracing White Balance) and ALC (Automatic Light Control)
- 2.8 ~ 10 mm 3.6x Varifocal Auto Iris lens (WV-CF314L)
- 2.8 mm Fixed Iris lens (WV-CF304L)
- 16 axis matrix color compensation function enables wider range of natural color adjustment.
- Adaptive Digital Noise Reduction: Integration of 2D-DNR and 3D-DNR ensures noise reduction in various conditions.
- Electronic sensitivity enhancement: Auto (Up to 32x) / Fix (Up to 512x) (WV-CF314L)
- Electronic sensitivity enhancement: Auto (Up to 32x) (WV-CF304L)
- Electronic shutter from 1/120 to 1/120,000 sec.(WV-CF314L)
- Digital zoom: Up to 2x
- Auto Image Stabilizer for applications where vibration or wind is a concern

- Internal synchronization
- Over the coaxial cable data communication
- 16 alphanumeric camera title display
- Multi language: English, French, Italian, Spanish, German, Russian, Chinese, Japanese
- Lens Distortion Correction
- On screen display menu
- ELC mode for easier lens adjustment upon installation

### Standard Accessories

Installation Guide.....	1 pc.
CD-ROM*.....	1 pc.

The following is used during installation procedures:

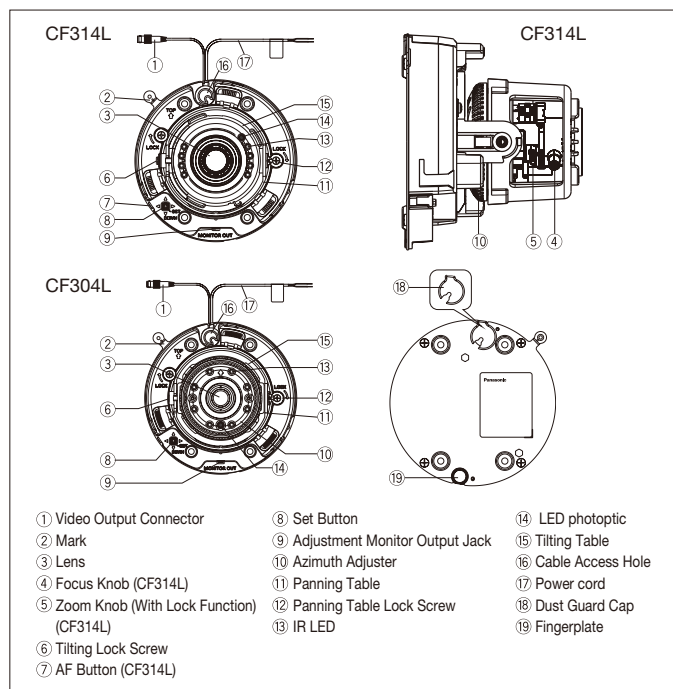
Installation template label.....	1 pc.
----------------------------------	-------

\*The CD-ROM contains the operating instructions (PDF).

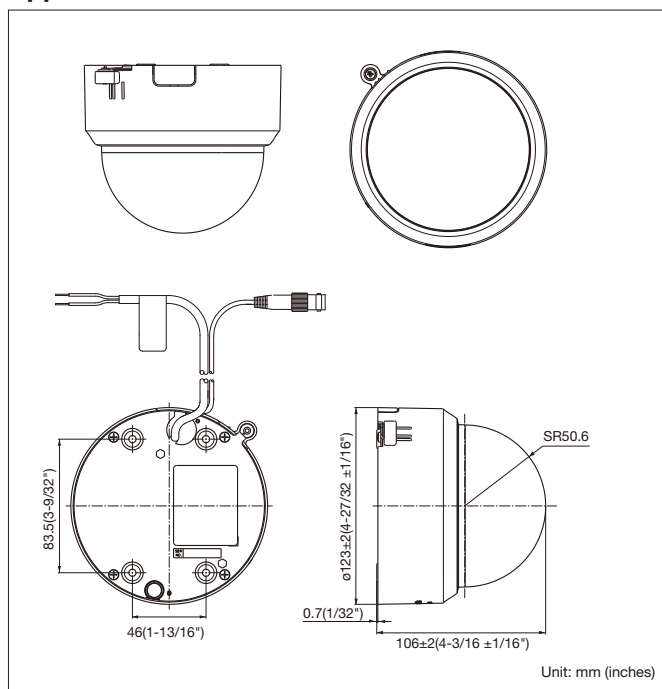
# WV-CF314L / WV-CF304L Specifications

	WV-CF314L	WV-CF304L	
<b>Camera</b>	Image Sensor	1/3 type interline transfer CCD	
	Effective Pixels	976 (H) x 582 (V)	
	Scanning Mode	2:1 interlace	
	Scanning Area	4.8 mm (H) x 3.6 mm (V) [3/16 inches(H) x 1/8 inches(V)]	
	Scanning Frequency	Horizontal: 15.625 kHz Vertical: 50.00 Hz	
	Horizontal Resolution	650 TV lines (typ.)	
	Minimum Illumination	Color : 0.08 lx(color mode) B/W: 0.008 lx (black-and-white mode, LED OFF) B/W: 0 lx (black-and-white mode, LED ON)	Color : 0.15 lx(color mode) B/W: 0.015 lx (black-and-white mode, LED OFF) B/W: 0 lx (black-and-white mode, LED ON)
	Signal-to-Noise Ratio	52 dB (AGC: OFF)	
	White Balance	AWC (2,000 ~ 10,000 K), ATW1 (2,700 ~ 6,000 K), ATW2 (2,000 ~ 6,000 K)	
	Light Control	ALC/ALC+/ELC	ELC
	BLC	ON / OFF	
	ABS	ON / OFF	
	AGC	ON (LOW, MID, HIGH) / OFF	
	Electronic Shutter	OFF (1/50), 1/120, 1/250, 1/500, 1/1000, 1/2000, 1/4000, 1/10000, 1/120000 (s)	
	Electronic Sensitivity UP	32x max. AUTO, 512x max. FIX	32x max. AUTO
	Day & Night (IR)	AUTO1 / AUTO2 / ON / OFF	
	LED	OFF / AUTO / FIX (available for D&N AUTO2 mode or D&N ON mode)	
	Digital Noise Reduction	high or low	
	Scene File	2 patterns	
	Video Motion Detection	OFF / MOTION DET / SCENE CHANGE	
	Privacy Zone	ON(1) / ON(2) / OFF	
	Image Stabilizer	ON / OFF	
	Auto Focus	Lens AF / MANUAL	None
IR LED irradiation distance	20 m	10 m	
Synchronization	Internal (INT)		
<b>Lens</b>	Focal Length	2.8 mm ~ 10.0 mm	2.8 mm
	Zoom Ratio	3.6x	—
	Angular Field of View	H: 100° 50' (Wide) ~ 27° 39' (Tele) V: 73° 51' (Wide) ~ 20° 45' (Tele)	H: 101° 30' V: 75°
	Maximum Aperture Ratio	F1.3 (Wide) ~ F3.1 (Tele)	F2.0
<b>Input / Output</b>	Focusing Range	0.3 m ~ ∞	0.5 m ~ ∞
	Video Output	1.0 V [p-p] / PAL composite 75 Ω	
<b>General</b>	Controller Interface	Coaxial Multiplex System	
	Setup Method	OSD setup menu	
	Language	English, French, Italian, Spanish, German, Russian, Chinese, Japanese	
	Power Source and Power Consumption	24 V AC: 3.6 W, 12 V DC: 410 mA (LED ON)	
	Ambient Operating Temperature	-10 °C ~ +50 °C (14 °F ~ 122 °F)	
	Ambient Operating Humidity	90 % or less (without condensation)	
	Dimensions	ø123 mm x 106 mm (ø4-27/32 inches x 4-3/16 inches)	
	Mass (approx.)	390 g (0.86 lbs.)	330 g (0.73 lbs.)
	Finish	White (N5040-b1)	

## Part Names and Functions



## Appearance



**Important**  
- Safety Precaution: Carefully read the operating instructions and installation manual before using this product.

- Weights and dimensions are approximate.
- Specifications are subject to change without notice.
- These products may be subject to export control regulations.

DISTRIBUTED BY:

# Panasonic

<http://panasonic.net/security/>

<http://www.facebook.com/PanasonicNetworkCamera>

Printed in Japan (2A-103AA)